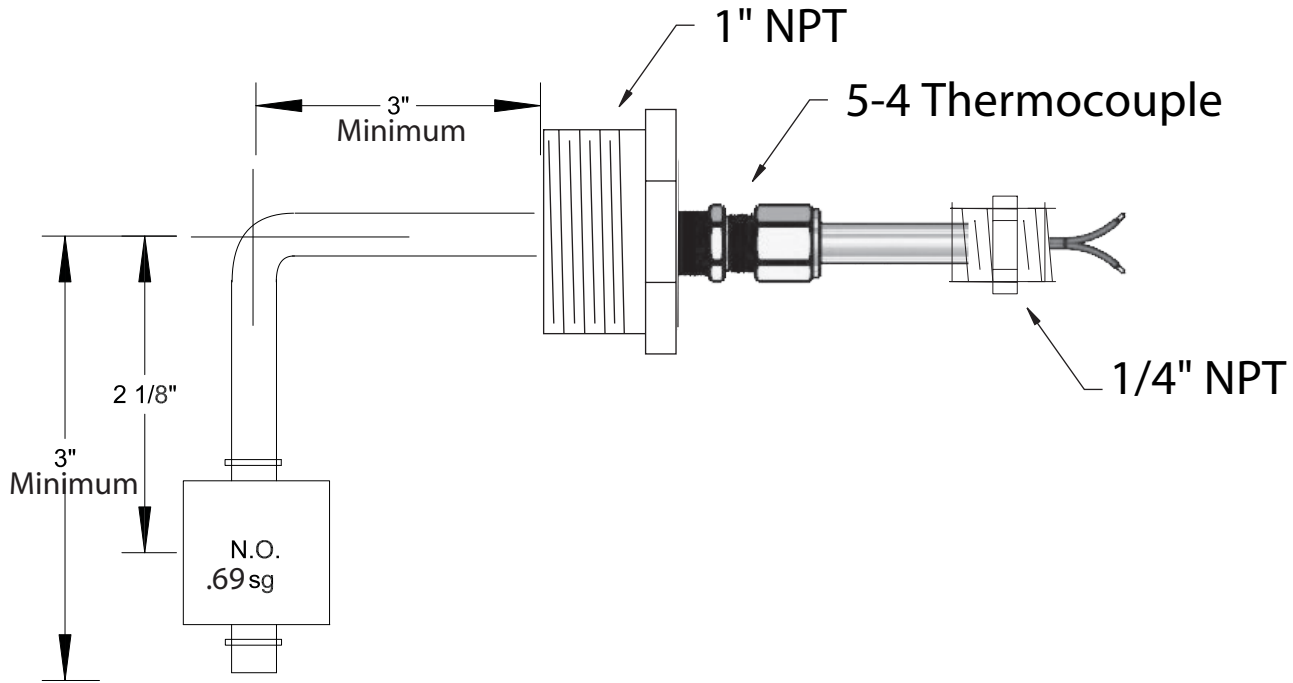
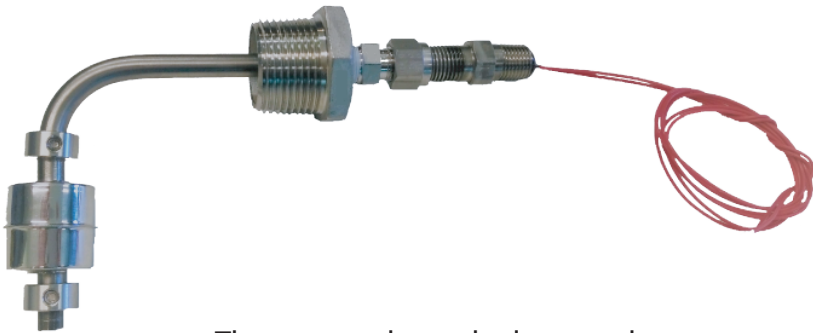
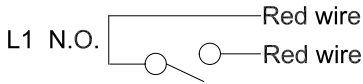


LC400-SM90



WIRING DIAGRAM

Normal is when float is away from fitting



Thermocouple can be loosened to allow the NPT to be removed from tank without disconnecting wires to preform testing and cleaning

SPECIFICATIONS

FITTING: 316 Stainless Steel, 1" NPT

STEM: 316 Stainless Steel, 5/16" diameter

FLOAT: 316 Stainless Steel, 1" x 1"

FLOAT STOP: Stainless Steel Stop Collar

SWITCH: SPST, 50 watt maximum
240 volts and 1 amp maximum values

SWITCH OPERATION: N.O. reversible to N.C.

WIRING: Red, 22 ga. Type E, 24" length

MAXIMUM PRESSURE: 200 PSI

OPERATING TEMPERATURE: -40 °F to +257 °F



Class I Division 1 and 2, Groups A,B,C,D,T5